



ALARMS & INDICATION

XTRA-BRITE FLASHING/STEADY LED MULTI-STATUS AND COLOR INDICATOR 125XBRI SERIES

2

ALARMS & INDICATION

DESCRIPTION

The **Edwards Signaling 125XBRI Series XTRA-BRITE™** LED Multi-Status Indicator is a UL and cUL listed, flashing or steady, multi-color visual signaling device. It features a corrosion resistant Type 4X enclosure and can be panel or conduit mounted. The base is manufactured from a 33% glass filled nylon, providing high resistance to heat and high chemical resistivity. The lens is made of shatter resistant polycarbonate. The lights are available in 24 VDC and 120 VAC 50/60 Hz, in either Red/Blue/Amber or Red/Green/Amber.

FEATURES

- Available in 24 VDC or 120 VAC
- Available with gray or black base
- Available in Red/Blue/Amber or Red/Green/Amber
- Option for panel or conduit mounting
- PLC Compatible
- XTRA-SAFE™ Technology enables status indication for those who are color-blind
- Dip switch settings for use with or without external control
- Immune to shock and vibration
- Protective wire guard available, Cat. No. 125GRD

SPECIFICATIONS

Supply Voltage	Steady State
125XBRIRxA24Dx	24 VDC @ 0.15A
125XBRIRxA120Ax	120 VAC, 50/60Hz @ 0.1A
Off State Leakage	5 mA
Surge	Inrush/Duration
125XBRIRxA24Dx	28.5A/65uSeconds
125XBRIRxA120Ax	28.5A/212uSeconds
Wiring	
- DC/Neutral	Black/White
Red LED	Red
Amber LED	Yellow
Blue or Green LED	Blue with Green Trace
LED Colors	Red/Green/Amber or Red/Blue/Amber
Flash Mode	Dipswitch enabled
Flash Rate	XTRA-SAFE™ Mode, Red 240 FPM, Amber 120 FPM, Green or Blue 65 FPM
Projected LED Life	148,000 hours
Mounting	Conduit or panel mount
Operating Temperature	-31° to 150°F (-35° to 66°C)
Enclosure Rating	NEMA 4X
Dimensions	3.25"W x 3.875"H (82.6 x 98.4mm)
Weight	0.5 lbs (0.22 Kg)
Approvals	UL file E340873
Warranty	1.5 years

NEW!

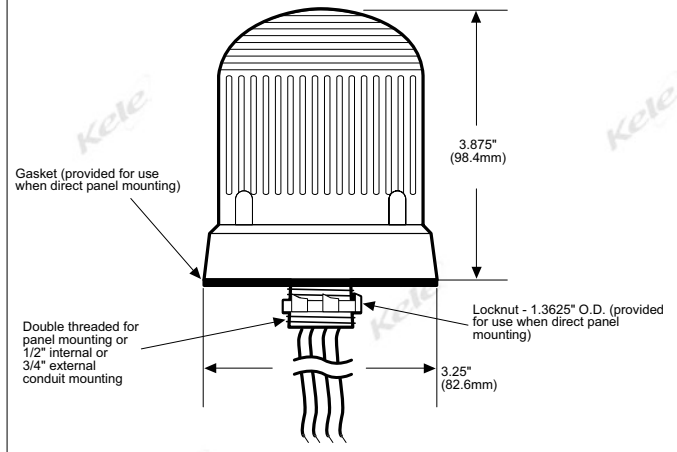
Edwards Signaling



125XBRI



DIMENSIONS



FLASH RATE

	XTRA-SAFE™ Enabled FPM	XTRA-SAFE™ Disabled FPM	Steady
Red	240	65	Control by input PRI.-1
Amber	240	65	Control by input PRI.-2
Green/Blue	65	Steady	Control by input PRI.-3

NEW!

90

877-826-9037 USA | kele.com

FREE CUSTOM CALIBRATION

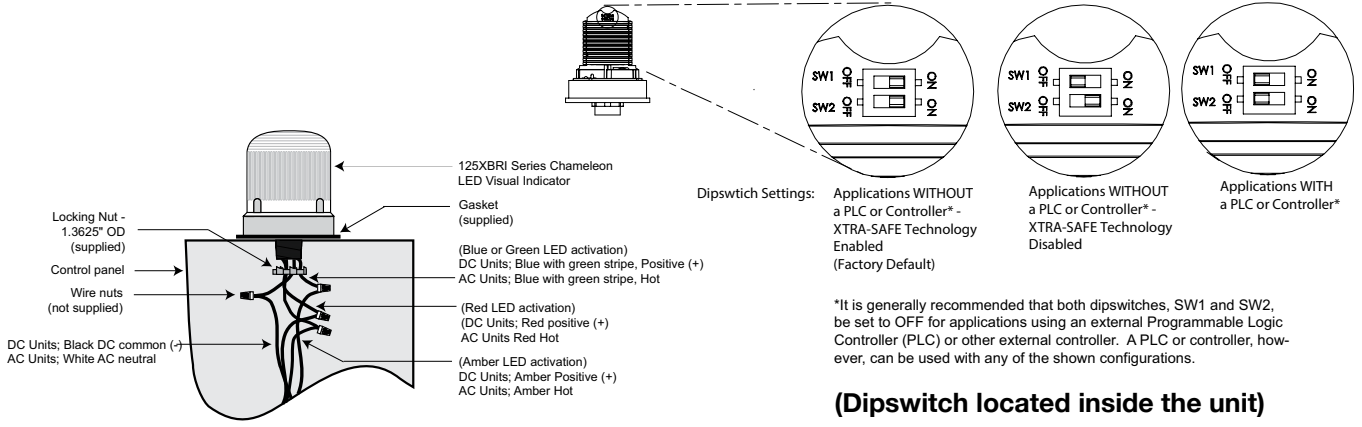
September 2016

ALARMS & INDICATION



XTRA-BRITE FLASHING/STEADY LED MULTI-STATUS AND COLOR INDICATOR 125XBRI SERIES

WIRING



2

ALARMS & INDICATION

ORDERING INFORMATION

MODEL	DESCRIPTION
125XBRI	LED Multi-Status Indicator in NEMA 4X Enclosure
	COLOR
RGA	Red, Green, Amber
RBA	Red, Blue, Amber
	SUPPLY VOLTAGE
24D	24 VDC
120A	120 VAC @ 60 Hz
	BASE COLOR
(BLANK)	Gray
B	Black

125XBRI - RGA - 120A - **Example: 125XBRI-RGA-120A** LED Multi-Status Indicator in NEMA 4X Enclosure, with red, green, and amber LEDs, with 120 VAC @ 60 Hz, and gray base

125GRD
CBR
WBR

ACCESSORIES

Optional Guard for Use with 125 Class Beacons
Corner Mount Bracket
Wall Mount Bracket